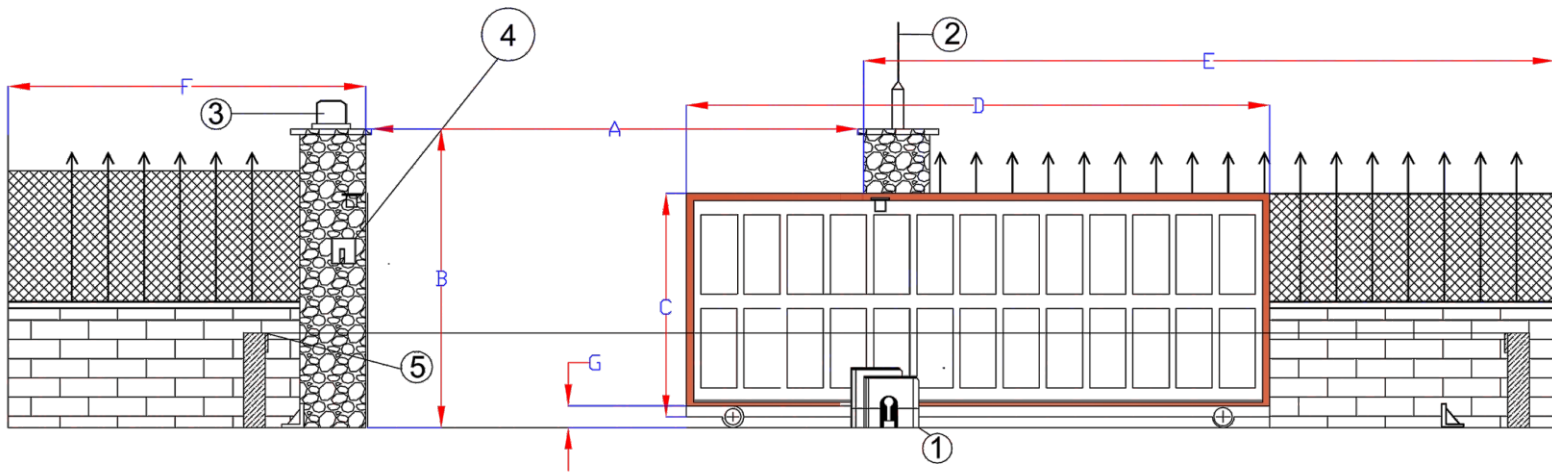


SITE SURVEY FORM FOR AUTOMATIC SLIDING GATE



Site Measurement Details : In MM

- | | | | | | |
|---|---|---|--|---|---------------|
| A | Clear Opening | : | _____ | 1 | Operator |
| B | Wall Height | : | _____ | 2 | Antenna |
| C | Gate Height | : | _____ | 3 | Blinker |
| D | Gate Width (Including Overlapping) | : | _____ | 4 | Key Switch |
| E | Right Wall Width | : | _____ | 5 | Safety sensor |
| F | Left Wall Width | : | _____ | | |
| G | Space Between Gate and Floor | : | _____ | | |
| H | Gate Moving Side (From inside the building) | | <input type="checkbox"/> Left <input type="checkbox"/> Right | | |

Remarks of Customer : _____

Customer Details

Name : _____
 Address : _____
 : _____
 : _____
 : _____
 Phone : _____
 Contact Person : _____
 Mobile : _____
 Email : _____

Our Representative

Signature : _____
 Name : _____
 Date : _____
 Time : _____
 Mobile : _____

TOSHI AUTOMATIC SYSTEMS PVT. LTD.

Regd. Office: M-2 Samrat Bhawan, Ranjit Nagar Commercial Complex, (Behind Satyam Cinema), New Delhi - 110008

Head Office: D-132, Bulandshahr Road Industrial Area, Ghaziabad - 201009
 Ph.:+91-120-2700941, 2701072 T/F.:+91-120-2705117

E-mail: info@toshiautomatic.com



Web: www.toshiautomatic.com